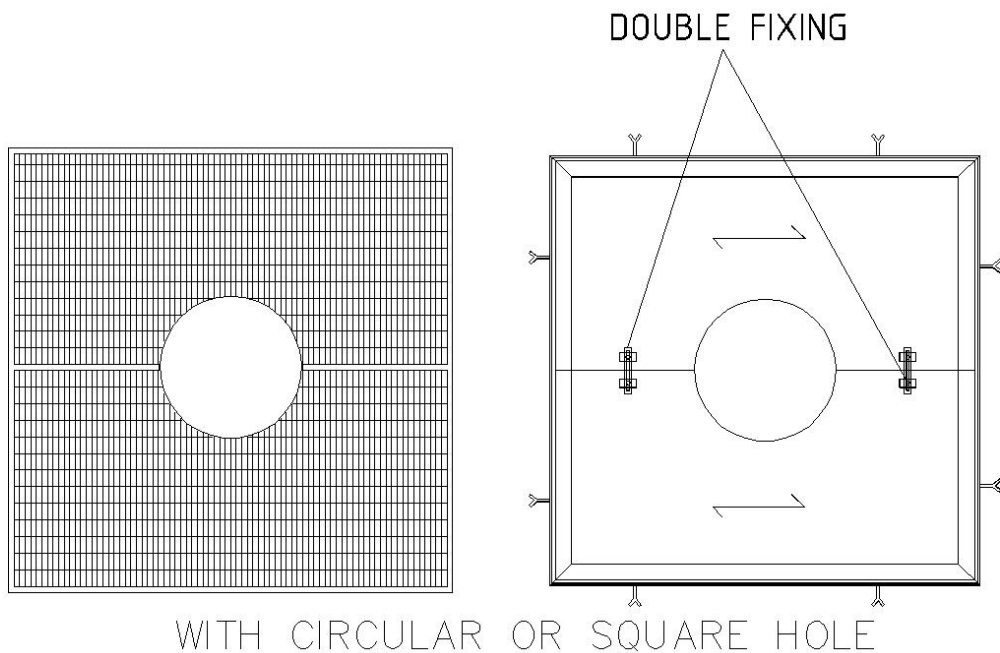


TECHNICAL DESCRIPTION

TREE PROTECTION GRATINGS

TREE PROTECTION GRATINGS (DIVIDED)

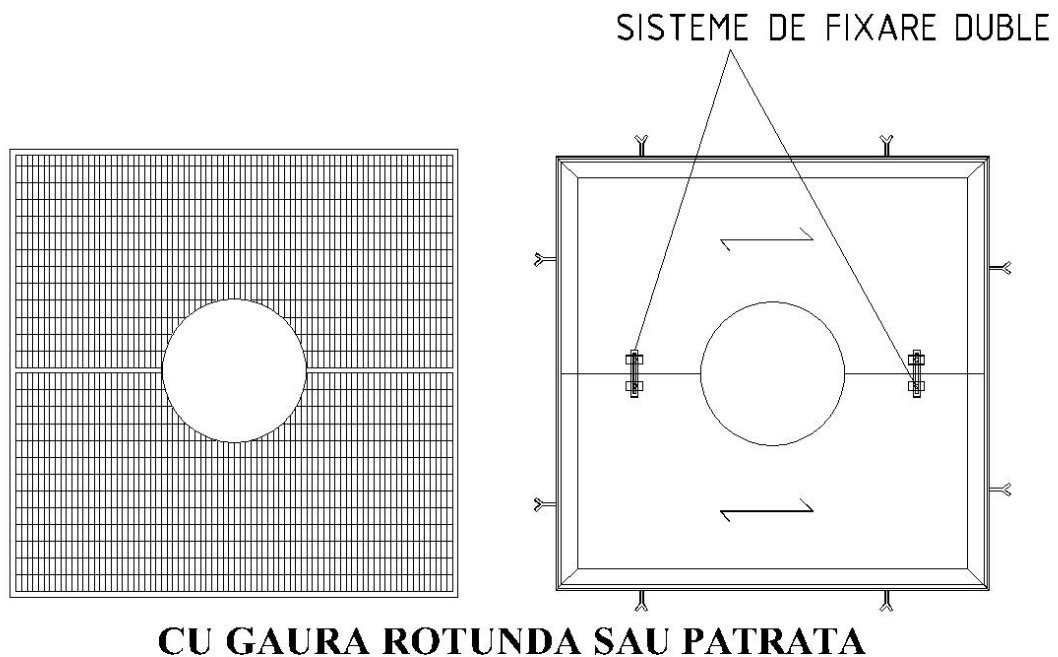


ASCO INDUSTRIAL GRATINGS tree protection gratings are made from all type of gratings, from structural steel according to EN 10025, hot-dip galvanized according to EN ISO 1461, with a centre hole (square or circular) divided into 2 pieces, accompanied by a split frame to be installed also in existing trees.

FISA TEHNICA

GRATAR PROTECTIE ARBORI

GRATARE PROTECTIE ARBORI (IMPARTIT)



Parasolarele ASCO INDUSTRIAL GRATINGS sunt executate din toate tipurile de gratare cu material de baza din otel pentru constructii conform cu EN 10025 si zincate la cald conform EN ISO 1461, cu o gaura centrala (patrata sau circulara) impartita in 2 bucati si vin impreuna cu o rama impartita la randul ei in 2 bucati pentru a putea fi instalate in jurul arborilor existenti.